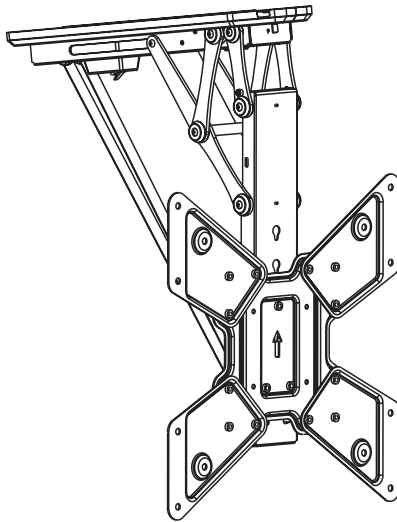




Electric Flip Down Ceiling TV Mount

Instruction Manual



SKU: MOUNT-E-FD55



Scan the QR code with your mobile device or follow the link for helpful videos and specifications related to this product.

<https://vivo-us.com/products/mount-e-fd55>

GET IN TOUCH | Monday-Friday from 7:00am-7:00pm CST



help@vivo-us.com



www.vivo-us.com
Chat live with an agent!

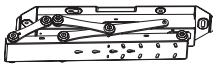








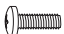







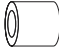

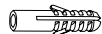



309-278-5303

⚠ WARNING!

If you do not understand these directions, or if you have any doubts about the safety of the installation, please call a qualified technician. Check carefully to make sure there are no missing or defective parts. Improper installation may cause damage or serious injury. Do not use this product for any purpose that is not explicitly specified in this manual. Do not exceed weight capacity. We cannot be liable for damage or injury caused by improper mounting, incorrect assembly or inappropriate use.

PACKAGE CONTENTS

				
A (x1) Mount	B (x1) VESA Plate	C (x1) Ceiling Template	D (x2) Decorative Cover	E (x2) VESA Adapter
				
F (x2) VESA Adapter	G (x1) Power Adapter	H (x1) Remote Control	I (x4) Cable Tie	
				
M-A (x4) M5x14	M-B (x4) M6x14	M-C (x4) M6x30	M-D (x4) M8x30	M-E (x4) M8x50
				
M-F (x4) D5 Washer	M-G (x4) D8 Washer	M-H (x8) Small Spacer	M-I (x8) Big Spacer	
				
W-A (x6) Bolt	W-B (x6) Anchor	W-C (x4) Washer		

NOTE: NOT ALL HARDWARE INCLUDED WILL BE USED

⚠ CAUTION!

DO NOT INSTALL INTO DRYWALL ALONE. VERIFY YOUR WALL CONSTRUCTION. USE WOOD STUDS TO MOUNT. We include mounting for brick and concrete walls. If unsure, please contact us at vivo-us.com, email at help@vivo-us.com, or call us at 309-278-5303.

TOOLS NEEDED

		
Drill	Phillips Screwdriver	Pencil

⚠ WARNING: CHOKING HAZARD

SMALL PARTS - NOT FOR CHILDREN UNDER 3 YEARS.
ADULT SUPERVISION IS REQUIRED.

DO NOT EXCEED WEIGHT CAPACITY.
Failure to do so may result in serious injury.

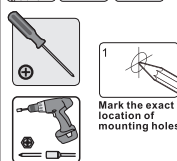


ASSEMBLY STEPS

STEP 1

OPTION A: Wood Ceiling

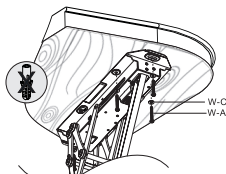
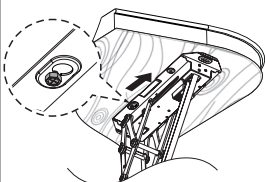
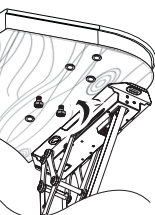
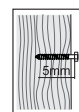
Using ceiling template (C), mark exact location of mounting holes. Drill pilot holes 2.2" deep using a 4.5mm drill bit. Insert two screws (W-A), leaving a 5mm gap from ceiling. Hang the ceiling mount so that the screws fit into the keyhole openings. Slide mount backward, then secure using additional screws (W-A) with washers (W-C).



1 Mark the exact location of mounting holes



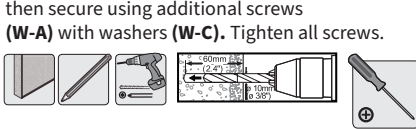
2 Drill pilot holes



NOTE: If mounting to a wood beam ceiling, ensure the front and back holes are used for the main support if mount is in line with the beam. If perpendicular to the beam, use keyhole openings for the main support. Do NOT use included concrete anchors (W-B) for wood or drywall.

OPTION B: Concrete Ceiling

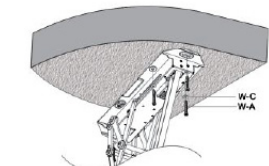
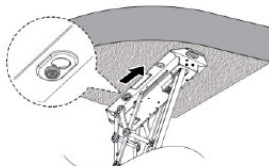
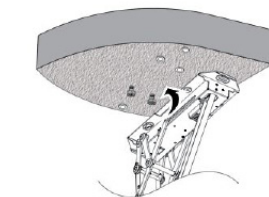
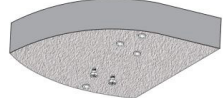
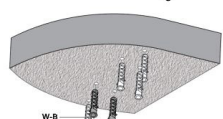
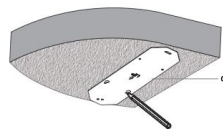
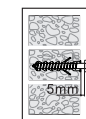
Using ceiling template (C), mark exact location of mounting holes. Drill pilot holes 2.4" deep, using a 10mm drill bit. Insert six concrete anchors (W-B), then tighten two screws (W-A), leaving a 5mm gap from ceiling. Hang the ceiling mount so that the screws fit into the keyhole openings. Slide mount backward, then secure using additional screws (W-A) with washers (W-C). Tighten all screws.



1

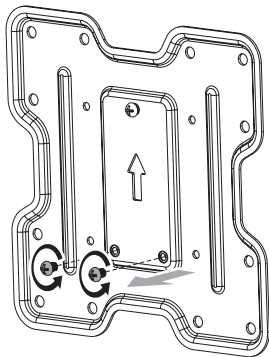


2 Drill pilot holes



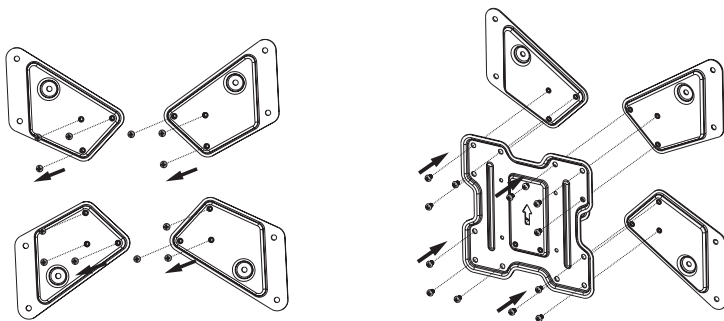
STEP 2

Remove the two bottom screws from the VESA plate (**B**) and set aside for later use.



OPTIONAL (if mounting a TV with a VESA pattern larger than 200mm x 200mm)

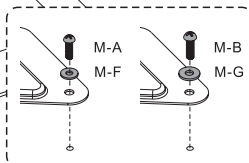
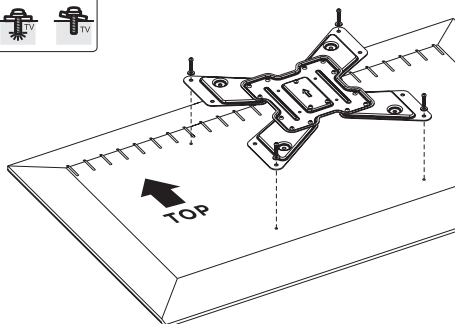
Remove the screws from the VESA adapters (**E, F**). Align the VESA adapters with the VESA plate and assemble, using screws previously removed from the VESA adapters.



STEP 2 (Continued)

OPTION A: Flat Back TV

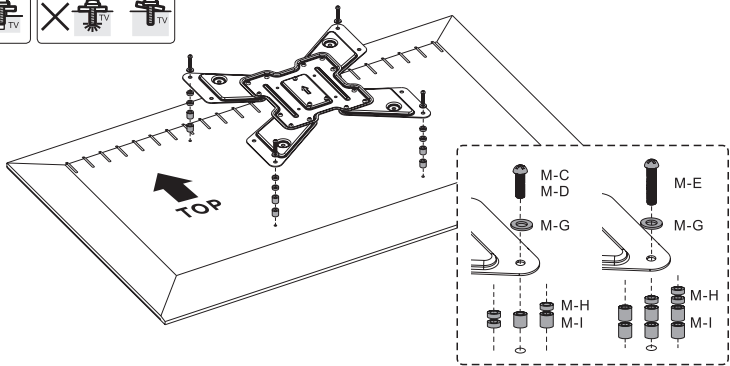
Align the VESA plate with the mounting holes in the back of the TV screen. Install VESA plate to TV using appropriate screws and washers according to your screen type.



STEP 2 (Continued)

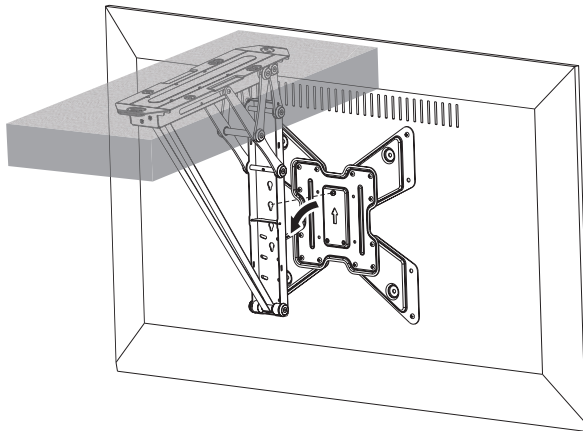
OPTION B: Curved/Recessed Back TV

Align the VESA plate with the mounting holes in the back of the TV screen. Install VESA plate to TV using appropriate screws and washers according to your screen type.



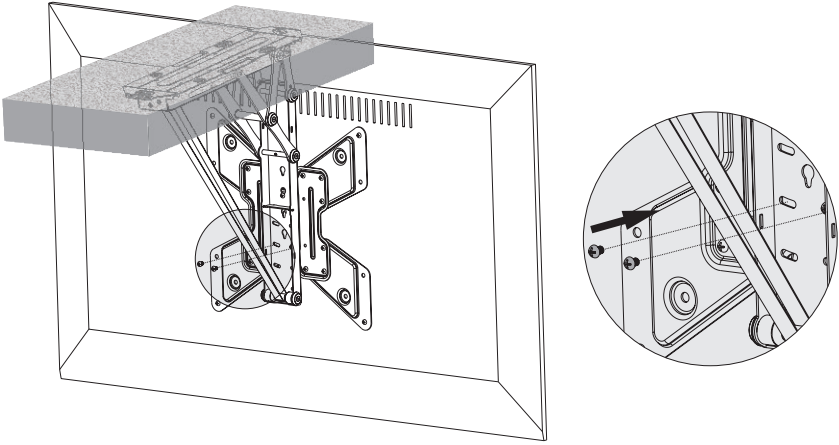
STEP 3

Place the VESA plate on the ceiling mount (A) by inserting the attached screw on the VESA plate into the ceiling mount (A) keyhole.

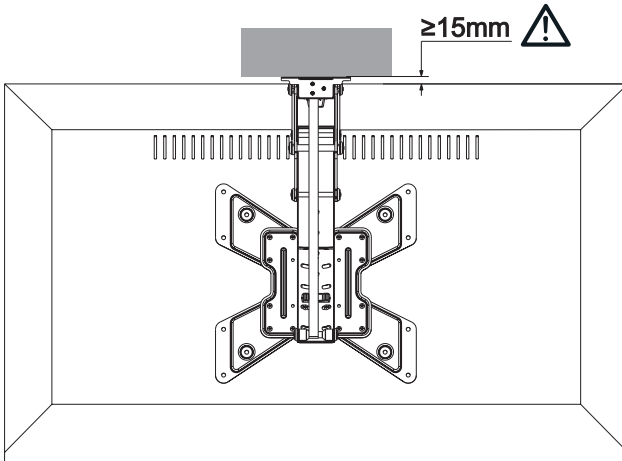


STEP 3 (Continued)

Using screws previously removed (in beginning of step 2), fasten the VESA plate to ceiling mount.



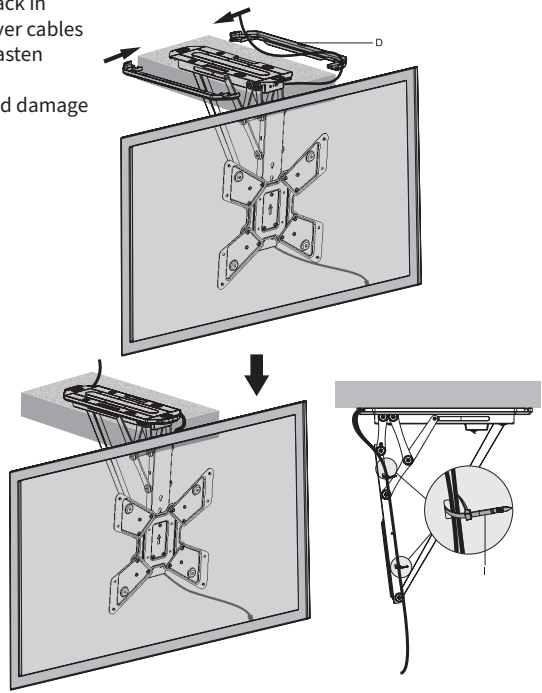
Clearance between the ceiling and top edge of TV should be no less than 15mm when TV is in the fully lowered position.



STEP 4

Run cables along edge of mount. Allow slack in cables for arm movement. Place covers over cables and snap into place. Using cable ties (I), fasten cables.

NOTE: Keep cables clear from arm to avoid damage due to pinching.



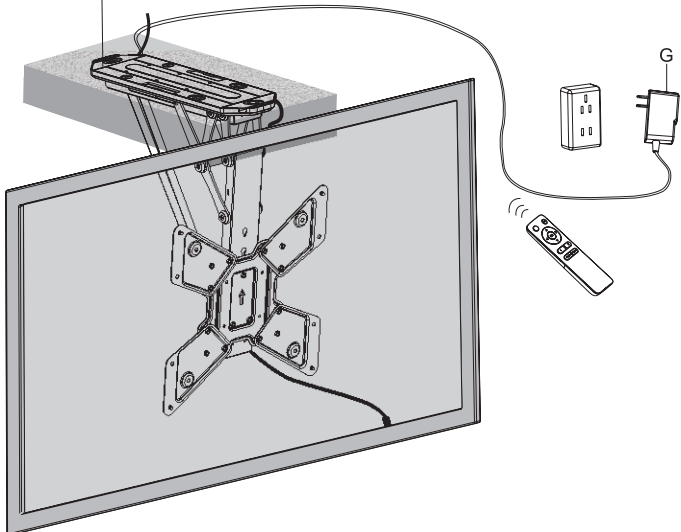
STEP 5

Plug power adapter (G) into mount, and connect to AC outlet.

NOTE: Plugging power supply into AC outlet prior to the mount may cause a large spark when connecting to the mount.



Do not open the electrical cover please.





Open **Monday - Friday 7:00am - 7:00pm** CST,
our dedicated support team can offer immediate assistance with rapid response times. If any parts are received damaged or defective, please contact us. We are happy to replace parts to ensure you have a fully functioning product.


 help@vivo-us.com

AVG. RESPONSE TIME (*within office hrs*): **1HR 8M**

- 23% within < 15m
- 38% within < 30m
- 61% within < 1hr
- 83% within < 2hr
- 92% within < 3hr

 www.vivo-us.com
Chat live with an agent!

AVG. RESOLUTION TIME (*within office hrs*): **< 15 M**

 309-278-5303

AVG. RESOLUTION TIME (*within office hrs*): **5M 4S**